

WARNING

To reduce the risk of electric shock, Do not expose this apparatus to rain or moisture.

User's Manual

IB-200-X01000-01

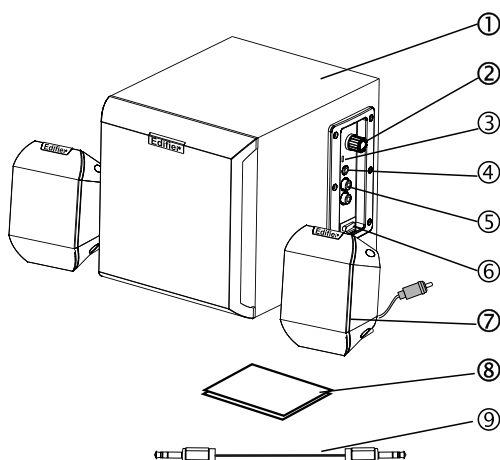
Edifier International Limited
 Made in China

1 Overview

Welcome !

Very thanks for choosing Edifier multimedia speaker, it can provide good sound for multimedia computer and home theater. Before operating the system, please read this manual thoroughly and retain it for future reference.

Overview



- | | |
|--|-------------------|
| 1. Sub Woofer | 2. Volume Control |
| 3. Bass Adjusting Switch | 4. Line In Port |
| 5. Speaker Out Splint | 6. Power Switch |
| 7. Satellite Speakers (left and right) | 8. User's Manual |
| 9. Audio connecting cord | |

2 Operating

Operating

1. CONNECTING

Connect the satellite speakers to the output RCA on the back panel of the Sub-woofer. Please note to match the color, red to red and white to white.

2. Connect the subwoofer to the Audio device.

Using Audio connecting cord, connect the Line-input port of the subwoofer to Line-out of the Audio Device (Such as the computer, Discman, etc).

3. Playing the audio device

Plug the AC power plug into the wall outlet and turn on the power switch, Now your speaker system is ready for Use.

Adjusting the volume control and Bass adjusting switch, then you can enjoy the music.

SPECIFICATIONS

Total Power Output:	RMS 4W x 2 + 7W (THD=10%)
Input Impedance:	10K Ohm
Input Sensitivity:	R/L: 500mV ± 50mV SW: 100mV ± 20mV
Bass Unit:	4" Aluminum coil, 4 Ohm
Tweeter Unit:	2 3/4" Paper coil, 4 Ohm
Dimension (Subwoofer):	191(W) x 183(H) x 222(D) mm
Dimension (Satellite):	83(W) x 108(H) x 80(D) mm
Gross Weight:	About 3.1 Kg

Notice

Edifier assumes no responsibility for any errors that may appear in this manual. Information contained herein is subject to change without notice.